

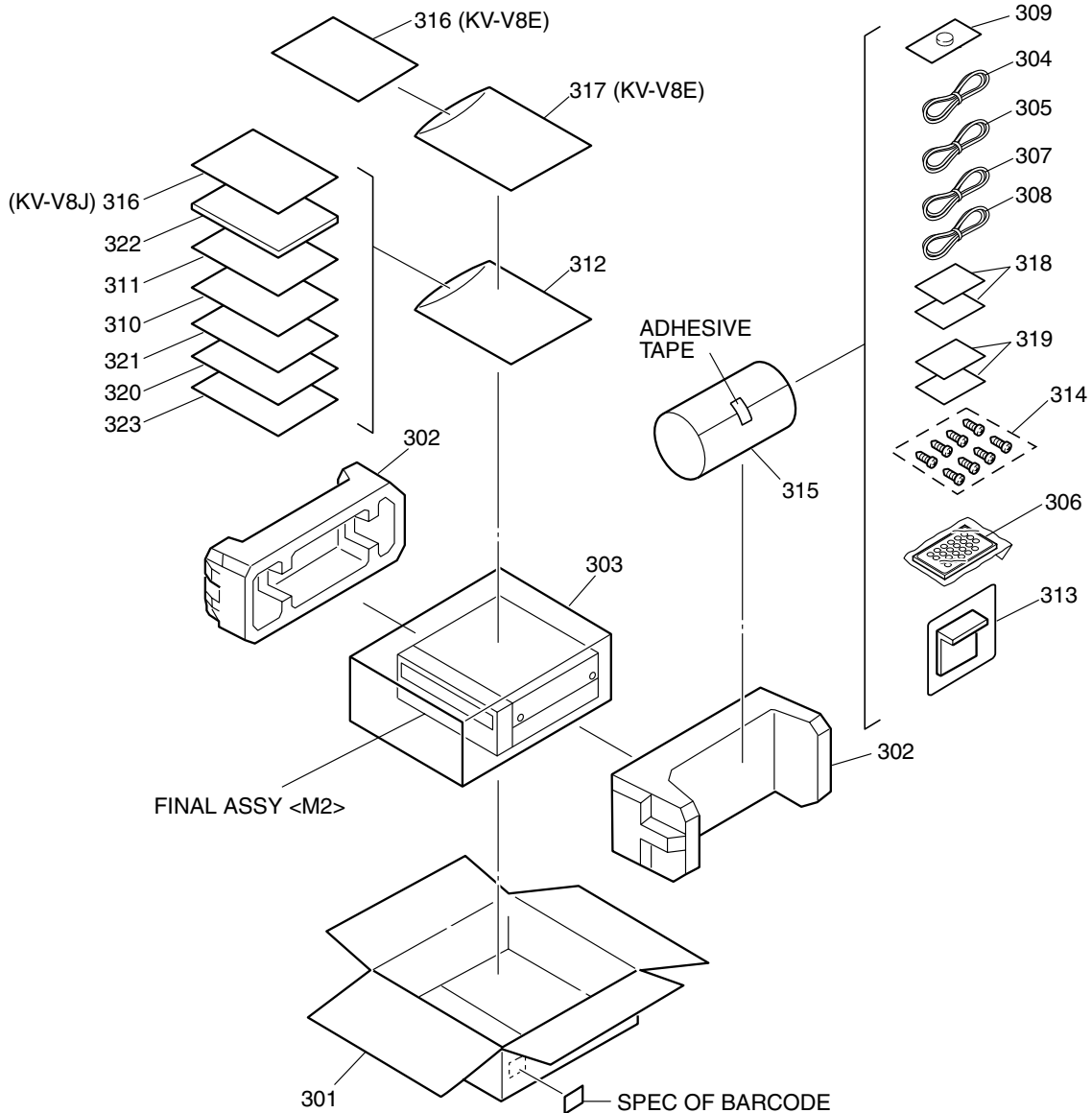
SECTION 5 PARTS LIST

SAFETY PRECAUTION

Parts identified by the \triangle symbol are critical for safety. Replace only with specified part numbers.

5.1 PACKING AND ACCESSORY ASSEMBLY <M1>

The instruction manual to be provided with this product will differ according to the destination.



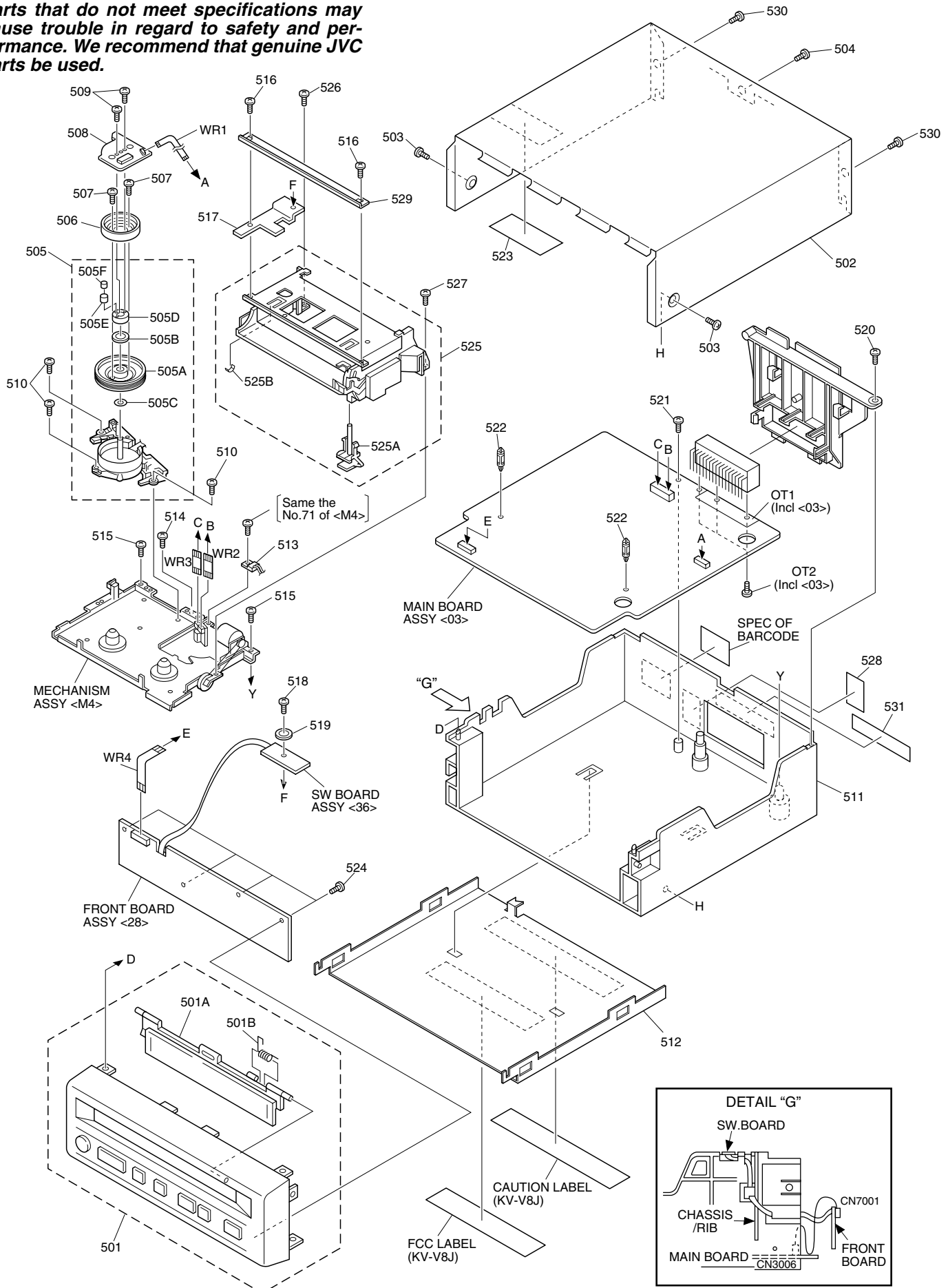
# \triangle	REF No.	PART No.	PART NAME, DESCRIPTION	# \triangle	REF No.	PART No.	PART NAME, DESCRIPTION

PACKING AND ACCESSORY ASSEMBLY <M1>							
		301	LP30421-005A PACKING CASE,KV-V8J			312	QPC02503530P POLY BAG
			LP30421-006A PACKING CASE,KV-V8E			313	LP30137-002A BRACKET,X2
		302	LP30793-001A CUSHION ASSY			314	LP40183-002A SCREW ASSY
		303	PQM30021-102 POLY BAG			315	QPC02202230P POLY BAG
		304	QAM0312-001 CAR CABLE			316	BT-54013-1 WARRANTY CARD,KV-V8E
		305	QAM0113-001 RM CABLE				BT-51018-2 WARRANTY CARD,KV-V8J
		306	RM-RK38 REMOTE CONTROLLER				BT-52004-1 WARRANTY CARD,KV-V8J
		307	LV41881-001A IR RECEIVER			317	QPC02503530P POLY BAG,KV-V8E
		308	QAM0097-001 CABLE ASSY(AUDIO/VIDEO)			318	LP40176-001A SHEET(A),X2
\triangle		309	PECA0903 LI BATTERY			319	LP40177-001A SHEET(B),X2
\triangle		310	LVT0646-001A INST BOOK(EN/FR/SP),KV-V8J			320	LVT0710-003A SHEET(CAUTION)
\triangle			LVT0647-001A INST BOOK 1(EN/GE/FR/DU),KV-V8E			321	BT-20071B SER.NET CARD,KV-V8J
\triangle			LVT0647-002A INST BOOK 2(SP/IT/SW/FI),KV-V8E			322	BT-51020-2 REGISTRATION CARD,KV-V8J
\triangle		311	LVT0646-002A INST BOOK(INSTLLATION),KV-V8J			323	LVT0712-001A SHEET CAUTION.2

5.2 FINAL ASSEMBLY <M2>

BEWARE OF BOGUS PARTS

Parts that do not meet specifications may cause trouble in regard to safety and performance. We recommend that genuine JVC parts be used.



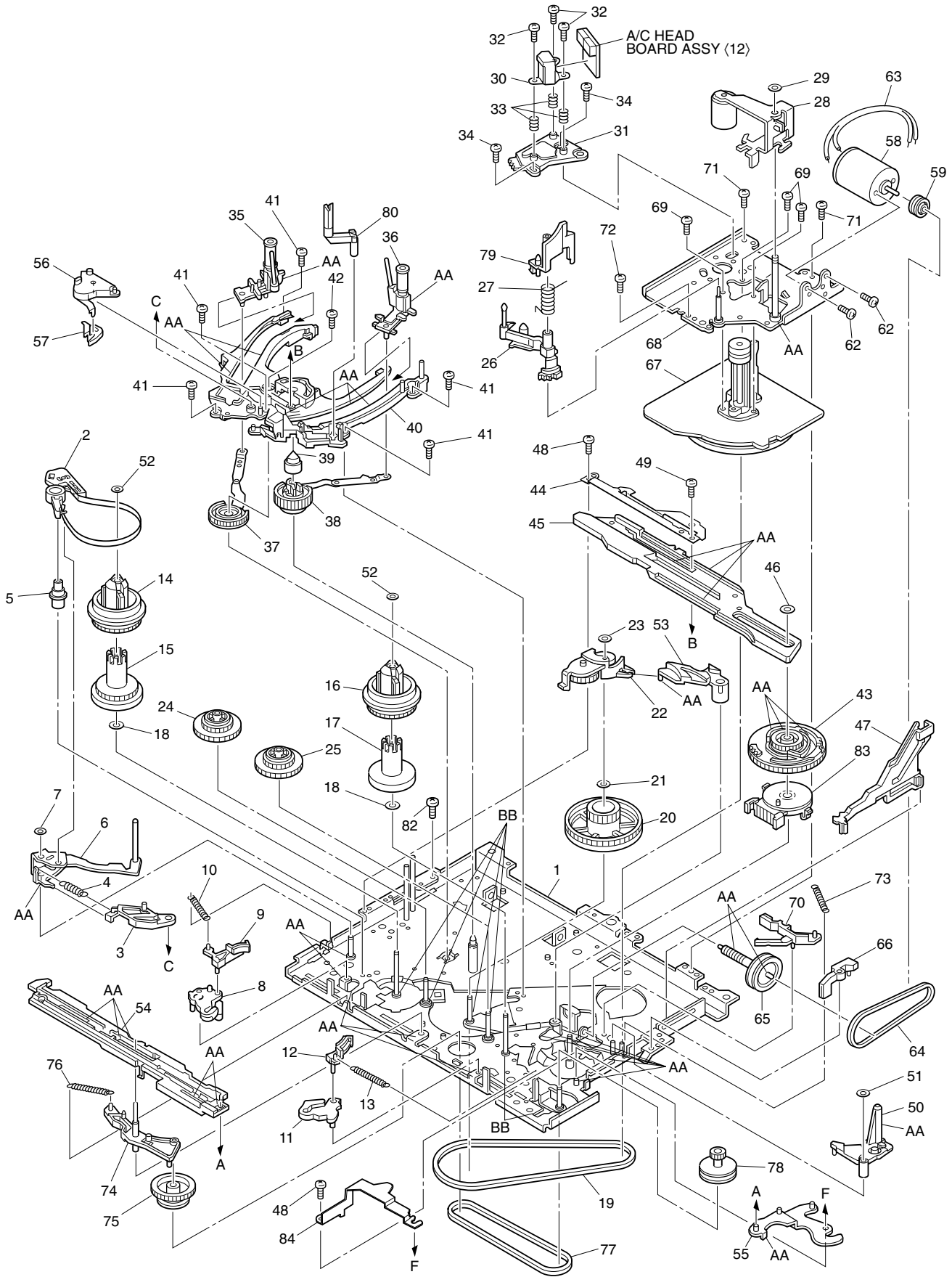
▲ REF No. PART No. PART NAME, DESCRIPTION

▲ REF No. PART No. PART NAME, DESCRIPTION

FINAL ASSEMBLY <M2>

▲	501	LP20944-002B	FRONT PANEL ASSY,KV-V8J
▲		LP20944-003B	FRONT PANEL ASSY,KV-V8E
	501A	LP20946-002A	CASSETTE DOOR,KV-V8J
		LP20946-003A	CASSETTE DOOR,KV-V8E
	501B	PQ46448-2	TORSION SPRING
▲	502	LP10336-002A	TOP COVER
	503	QYTDSF3010R	SCREW,X2 TOP COVER(SIDE)
	504	QYTDSF3010M	SCREW, TOP COVER(REAR)
	505	LP20053-009A	DRUM SUB ASSY,KV-V8J
		LP20053-010A	DRUM SUB ASSY,KV-V8E
	505A	LP20616-001A	UPPER DRUM ASSY,KV-V8J
		LP20982-002A	UPPER DRUM ASSY,KV-V8E
	505B	PDM4439	CAP
	505C	PDM4444-19-2	WASHER
	505D	LP40572-001A	COLLAR ASSY
	505E	LP40323-001A	CONTACT
	505F	LP30004-014A	COMPRESSION SPRING
▲	506	QAR0002-003	ROTOR ASSY
	507	QYSPSPH2606Z	SCREW,X2
	508	QAR0003-005	STATOR ASSY
	509	QYSPSP3006Z	SCREW,X2
	510	QYTDST2610Z	SCREW,X3 DRUM
▲	511	LP10335-001A	BOTTOM CHASSIS
	512	LP20966-001B	BOTTOM COVER
	513	PESC1422	DEW SENSOR
	514	QYSPSFG2610Z	SCREW,MECHA
	515	QYTDSF4012Z	SCREW,X2 MECHA
	516	QYTDSF3010Z	SCREW,X2 MECHA
	517	LP40079-001A	SW BRACKET
	518	QYSPSPT2035M	SCREW
	519	WLS2000N	WASHER
	520	QYTDSF3010Z	SCREW,TERMINAL
	521	QYTDSF3010Z	SCREW,MAIN
	522	PEME0947-01-01	SPACER,X2
	523	LP30002-096A	SPACER, TOP COVER
	524	QYTDSF2610Z	SCREW,X4 FRONT BOARD
	525	PUS29724K	CASSETTE HOUSING ASSY
	525A	PQ46359-1-2	CASSETTE SWITCH PIN
	525B	LP40154-001A	SPRING COVER
	526	SPST2606Z	SCREW,CASSETTE HOUSING
	527	SDST2610Z	SCREW,CASSETTE HOUSING
	528	LP40759-001A	SHEET
	529	LP30470-001A	STAY
	530	QYTDSF3010R	SCREW,X2 TOP COVER(REAR)
	531	LP31007-002A	CONNECT LABEL
	WR1	QUQ212-0526CG	FFC WIRE,DRUM CN3002
	WR2	QUP034-12AHAH	PARA RIB S WIRE,A/C HEAD
	WR3	QUP023-12AHAH	PARA RIB S WIRE,A/C HEAD
	WR4	WJT0038-001A	E-CARD WIRE,FRONT CN3006

5.3 MECHANISM ASSEMBLY <M4>



Classification	Part No.	Symbol in drawing
Grease	KYODO-SH-P	AA
Oil	COSMO-HV56	BB

NOTE:The section marked in **AA** and **BB** indicate lubrication and greasing areas.

#	△ REF No.	PART No.	PART NAME, DESCRIPTION	#	△ REF No.	PART No.	PART NAME, DESCRIPTION

MECHANISM ASSEMBLY <M4>							
1		PQ21680M-24	MAIN DECK ASSY	58		QAR0023-001	LOADING MOTOR
2		LP40006-001C	TENSION BAND ASSY	59		PQ43546-1-2	MOTOR PULLEY
3		PQ35012-1-5	TENSION ARM LEVER	62		SPSP3003Z	SCREW,X2
4		PQM30001-385109	TENSION SPRING	63		PW30101-80AJ632	WIRE
5		LP30103-001B	ADJUST PIN	64		LP30005-002A	BELT,LOADING MOTOR
6		PQ46303B-8	TENSION ARM ASSY	65		PQ46395B	WORM GEAR ASSY
7		PQM30017-47	SLIT WASHER	66		PQ21699-1-2	WORM BEARING
8		PQ46305B-3	MAIN BRAKE ASSY (SUPPLY)	67		PU61487-2-6	CAPSTAN MOTOR
9		PQ46306A-6	SUB BRAKE ASSY(SUPPLY)	68		PQ46347F-17	SUB DECK ASSY
10		PQM30001-393	TENSION SPRING	69		SPSG2608Z	SCREW,X3
11		PQ46308A-5	MAIN BRAKE ASSY (TAKE UP)	70		PQ46356C-4	CAPSTAN BRAKE ASSY
12		PQ46309A-4	SUB BRAKE ASSY(TAKE UP)	71		SPST2606Z	SCREW,X2
13		PQM30001-389102	TENSION SPRING	72		SDSP2604Z	SCREW
14		PQ46551B	REEL DISK ASSY(SUPPLY)	73		LP30003-005A	TENSION SPRING
15		PQ35436	SLIT DISK(SUPPLY)	74		PQ46353B	CHANGE ARM ASSY
16		PQ46551B	REEL DISK ASSY(TAKE UP)	75		PQ46354	CHANGE GEAR
17		PQ35437	SLIT DISK(TAKE UP)	76		PQM30001-386	TENSION SPRING
18		PQM30018-76	SPACER,X2	77		PQM30003-40	BELT,CHANGE GEAR
19		PQM30003-38	BELT,CAPSTAN MOTOR	78		LP40008-001B	CASSETTE GEAR
20		PQ46497B-2	PULLEY ASSY	79		PQ35030-3	LID GUIDE
21		PQM30018-69	SPACER	80		LP20032-001A	LED PRISM
22		PQ46312C-15	IDLER ARM ASSY	82		SDST2610Z	SCREW
23		PQM30017-34	SLIT WASHER	83		PU61432-1-2	ROTARY ENCODER
24		PQ46316F	CLUTCH UNIT(SUPPLY)	84		PQ35217-1-2	CONTROL BRACKET 2
25		PQ46323A-1	CLUTCH UNIT(TAKE UP)				
26		PQ46325D	GUIDE ARM ASSY				
27		PQ46326-2	TORSION SPRING				
28		PQ46327A-4	PINCH ROLLER ARM ASSY				
29		PQM30017-24	SLIT WASHER,P.LEVER				
30		PEHE0182	AC HEAD				
31		PQ35206-1-3	HEAD BASE				
32		PQ43687A	SPECIAL SCREW,X3				
33		PQM30002-192	COMPRESSION SPRING,X3				
34		SDSP2604Z	SCREW,X2				
35		PQ46595B-5	POLE BASE ASSY(SUPPLY)				
36		PQ46331C	POLE BASE ASSY(TAKE UP)				
37		PQ46332B-3	LOADING ARM ASSY(SUPPLY)				
38		PQ46337C	LOADING ARM ASSY(TAKE UP)				
39		PQ46767-1-2	GUIDE CAP				
40		PQ11657-1-9	GUIDE RAIL				
41		SPST2608Z	SCREW,X5				
42		SDST2612Z	SCREW				
43		LP20003-001A	CONTROL CAM				
44		PQ35138-3	CONTROL BRACKET				
45		LP10004-001E	CONTROL PLATE				
46		PQM30017-8	SLIT WASHER				
47		PQ21685-2-10	PINCH PLATE				
48		SPST2606Z	SCREW,X2				
49		SPSF2608M	SCREW				
50		PQ46342B-10	LEVER ASSY				
51		PQM30017-8	SLIT WASHER				
52		PQM30017-47	SLIT WASHER,X2				
53		PQ35026-1-7	IDLER LEVER				
54		PQ11659-2	SLIDE PLATE				
55		LP40014-001A	CHANGE LEVER ASSY				
56		PQ21686-1-3	TAKE UP LEVER				
57		PQ46345-1-2	TAKE UP HEAD				

5.4 ELECTRICAL PARTS LIST

#	△ REF No.	PART No.	PART NAME, DESCRIPTION

MAIN BOARD ASSEMBLY <03>			
PW1		LPA10120-02B1	MAIN BOARD ASSY,KV-V8E
		LPA10120-03B1	MAIN BOARD ASSY,KV-V8J
IC1		JCP8020-MSD-2	IC,KV-V8E
		JCP8020-NVD-2	IC,KV-V8J
IC3001		M37760M8H1A7GP	IC,KV-V8E
		M37760M8H1B3GP	IC,KV-V8J
IC3002		X24C01AP	IC
		or 24LC01B/P	IC
		or AT24C01A-10PC	IC
		or XL24C01AP	IC
IC3003		S-80742AN-D6-X	IC
IC3004		BA6956AN	IC
IC5001		SI-3012LU-X	IC
IC5002		BA10393	IC
		or M5233P	IC
		or UPC393C	IC
IC7101		BA15218	IC
Q1		2SC4081/S/-X	TRANSISTOR,KV-V8E
Q2		2SC4081/S/-X	TRANSISTOR,KV-V8E
Q3		2SC4081/S/-X	TRANSISTOR,KV-V8E
Q4		2SC4081/S/-X	TRANSISTOR,KV-V8E
Q10		2SA1576A/RS/-X	TRANSISTOR
Q22		2SC4081/QRS/-X	TRANSISTOR
		or 2SD1819A/QRS/-X	TRANSISTOR
		or 2PC4081/R/-X	TRANSISTOR
Q38		2SC4081/QRS/-X	TRANSISTOR
Q41		DTC144WU	TRANSISTOR,KV-V8E
		or RN1309	TRANSISTOR,KV-V8E
		or UN521E	TRANSISTOR,KV-V8E
Q2252		DTC114EU	TRANSISTOR,KV-V8E
		or PDTC114EU	TRANSISTOR,KV-V8E
		or RN1302	TRANSISTOR,KV-V8E
		or UN5211	TRANSISTOR,KV-V8E
Q3001		LP40038-001A	TAPE SENSOR
Q3002		LP40038-001A	TAPE SENSOR
Q3003		2SD1819A/QRS/-X	TRANSISTOR
		or 2SC4081/QRS/-X	TRANSISTOR
		or 2PC4081/R/-X	TRANSISTOR
Q3011		DTC114EU	TRANSISTOR
		or RN1302	TRANSISTOR
		or UN5211	TRANSISTOR
Q3012		DTC114EU	TRANSISTOR
		or RN1302	TRANSISTOR
		or UN5211	TRANSISTOR
Q3013		DTC114EU	TRANSISTOR
		or UN5211	TRANSISTOR
		or RN1302	TRANSISTOR
Q4001		DTC114EU	TRANSISTOR
Q5001		UN5111	TRANSISTOR
		or RN2302	TRANSISTOR
		or DTA114EU	TRANSISTOR
Q5002		2SB1142/RST/	TRANSISTOR
Q5003		2SD1819A/QRS/-X	TRANSISTOR
		or 2SC4081/QRS/-X	TRANSISTOR
		or 2PC4081/R/-X	TRANSISTOR
Q5004		2SB1142/RST/	TRANSISTOR
Q5005		2SD1819A/QRS/-X	TRANSISTOR

#	△ REF No.	PART No.	PART NAME, DESCRIPTION
		or 2SC4081/QRS/-X	TRANSISTOR
		or 2PC4081/R/-X	TRANSISTOR
Q5006		2SD1819A/QRS/-X	TRANSISTOR
		or 2PC4081/R/-X	TRANSISTOR
		or 2SC4081/QRS/-X	TRANSISTOR
Q5007		2SD1819A/QRS/-X	TRANSISTOR
		or 2SC4081/QRS/-X	TRANSISTOR
Q5008		UN5211	TRANSISTOR
		or DTC114EU	TRANSISTOR
		or RN1302	TRANSISTOR
Q5041		2SC3616/MLK/-T	TRANSISTOR
Q7101		2SA1576A/QR/-X	TRANSISTOR
		or 2PA1576/R/-X	TRANSISTOR
		or 2SB1218A/QR/-X	TRANSISTOR
Q7102		2SA1576A/QR/-X	TRANSISTOR
		or 2SB1218A/QR/-X	TRANSISTOR
		or 2PA1576/R/-X	TRANSISTOR
Q7106		DTC144WU	TRANSISTOR
		or RN1309	TRANSISTOR
		or UN521E	TRANSISTOR
Q7107		DTA114EU	TRANSISTOR
		or RN2302	TRANSISTOR
		or UN5111	TRANSISTOR
Q7108		2SC4081/QRS/-X	TRANSISTOR
Q7109		2SC4081/QRS/-X	TRANSISTOR
D3001		SIR-381SB3FM	LE DIODE
		or SIR-381SB3FX1M	LE DIODE
D3002		1N4148M	DIODE
		or 1SS133	DIODE
		or 1SS270A	DIODE
D3003		1N4148M	DIODE
		or 1SS133	DIODE
		or 1SS270A	DIODE
D3005		1N4148M	DIODE
		or 1SS133	DIODE
		or 1SS270A	DIODE
D4001		1SS355	DIODE
D4004		1SS355	DIODE
D5001		AK04	DIODE
D5002		MTZJ6.8A	ZENER DIODE
		or RD6.8ES/B1/-T2	ZENER DIODE
		or UZ6.8BSA	ZENER DIODE
D5003		MTZJ6.8A	ZENER DIODE
		or RD6.8ES/B1/-T2	ZENER DIODE
		or UZ6.8BSA	ZENER DIODE
D5004		AK04	DIODE
D5005		MTZJ6.2A	ZENER DIODE
		or RD6.2ES/B1/-T2	ZENER DIODE
		or UZ6.2BSA	ZENER DIODE
D5006		AK04	DIODE
D5008		UZ5.6BSB	ZENER DIODE
		or MTZJ5.6B	ZENER DIODE
		or RD5.6ES/B2/-T2	ZENER DIODE
D5041		MTZJ5.6C	ZENER DIODE
D5051		UZ5.6BSB	ZENER DIODE
		or MTZJ5.6B	ZENER DIODE
		or RD5.6ES/B2/-T2	ZENER DIODE
R1		NRSA02J-682X	MG RESISTOR 6.8kΩ,1/10W
R2		NRSA02J-152X	MG RESISTOR 1.5kΩ,1/10W
R3		NRSA02J-822X	MG RESISTOR 8.2kΩ,1/10W
R6		NRSA02J-273X	MG RESISTOR 27kΩ,1/10W

#	△	REF No.	PART No.	PART NAME, DESCRIPTION	#	△	REF No.	PART No.	PART NAME, DESCRIPTION
R7			NRSA02J-681X	MG RESISTOR,KV-V8E	R3054		NRSA02J-102X	MG RESISTOR	1kΩ,1/10W
			NRSA02J-821X	MG RESISTOR,KV-V8J	R3056		NRSA02J-471X	MG RESISTOR	470Ω,1/10W
R9			NRSA02J-0R0X	MG RESISTOR	R3060		NRSA02J-332X	MG RESISTOR,KV-V8J	3.3kΩ,1/10W
R12			NRSA02J-101X	MG RESISTOR	R3061		NRSA02J-102X	MG RESISTOR	1kΩ,1/10W
R21			NRSA02J-102X	MG RESISTOR,KV-V8E	R3062		NRSA02J-102X	MG RESISTOR	1kΩ,1/10W
R22			NRSA02J-102X	MG RESISTOR,KV-V8E	R3063		NRSA02J-102X	MG RESISTOR	1kΩ,1/10W
R41			NRSA02J-822X	MG RESISTOR	R3064		NRSA02J-102X	MG RESISTOR	1kΩ,1/10W
R42			NRSA02J-681X	MG RESISTOR	R3068		NRSA02J-102X	MG RESISTOR	1kΩ,1/10W
R46			NRSA02J-331X	MG RESISTOR,KV-V8E	R3071		NRSA02J-101X	MG RESISTOR	100Ω,1/10W
R49			NRSA02J-561X	MG RESISTOR	R3072		NRSA02J-101X	MG RESISTOR	100Ω,1/10W
R77			NRSA02J-103X	MG RESISTOR	R3073		NRSA02J-102X	MG RESISTOR	1kΩ,1/10W
R90			NRSA02J-391X	MG RESISTOR,KV-V8E	R3075		NRSA02J-102X	MG RESISTOR	1kΩ,1/10W
			NRSA02J-471X	MG RESISTOR,KV-V8J	R3078		NRSA02J-102X	MG RESISTOR	1kΩ,1/10W
R92			NRSA02J-152X	MG RESISTOR	R3079		NRSA02J-102X	MG RESISTOR	1kΩ,1/10W
R93			NRSA02J-102X	MG RESISTOR,KV-V8J	R3080		NRSA02J-102X	MG RESISTOR	1kΩ,1/10W
			NRSA02J-222X	MG RESISTOR,KV-V8E	R3081		NRSA02J-102X	MG RESISTOR	1kΩ,1/10W
R104			NRSA02J-682X	MG RESISTOR	R3082		NRSA02J-102X	MG RESISTOR	1kΩ,1/10W
R2003			NRSA02J-101X	MG RESISTOR	R3083		NRSA02J-102X	MG RESISTOR	1kΩ,1/10W
R2004			NRSA02J-332X	MG RESISTOR	R3085		NRSA02J-102X	MG RESISTOR	1kΩ,1/10W
R2007			NRSA02J-393X	MG RESISTOR	R3100		NRSA02J-102X	MG RESISTOR	1kΩ,1/10W
R2010			NRSA02J-123X	MG RESISTOR	R3102		NRSA02J-103X	MG RESISTOR	10kΩ,1/10W
R2013			NRSA02J-682X	MG RESISTOR	R3103		NRSA02J-103X	MG RESISTOR	10kΩ,1/10W
R2014			NRSA02J-224X	MG RESISTOR	R3104		NRSA02J-272X	MG RESISTOR	2.7kΩ,1/10W
R2015			NRSA02J-121X	MG RESISTOR,KV-V8E	R3105		NRSA02J-103X	MG RESISTOR	10kΩ,1/10W
			NRSA02J-181X	MG RESISTOR,KV-V8J	R3108		NRSA02J-103X	MG RESISTOR	10kΩ,1/10W
R2016			NRSA02J-393X	MG RESISTOR	R3109		QRE141J-102Y	RESISTOR	1kΩ,1/4W
R2024			NRSA02J-472X	MG RESISTOR	R3110		QRE141J-103Y	RESISTOR	10kΩ,1/4W
R2201			QRE141J-100Y	RESISTOR	R3111		NRSA02J-154X	MG RESISTOR,KV-V8E	150kΩ,1/10W
R2206			NRSA02J-101X	MG RESISTOR			NRSA02J-684X	MG RESISTOR,KV-V8J	680kΩ,1/10W
R2207			NRSA02J-332X	MG RESISTOR	R3112		NRSA02J-333X	MG RESISTOR	33kΩ,1/10W
R2219			NRSA02J-393X	MG RESISTOR	R3201		NRSA02J-103X	MG RESISTOR	10kΩ,1/10W
R2224			NRSA02J-123X	MG RESISTOR	R3202		NRSA02J-472X	MG RESISTOR	4.7kΩ,1/10W
R2228			NRSA02J-0R0X	MG RESISTOR	R3203		NRSA02J-103X	MG RESISTOR	10kΩ,1/10W
R2251			NRSA02J-102X	MG RESISTOR	R3204		NRSA02J-392X	MG RESISTOR	3.9kΩ,1/10W
R3001			NRSA02J-102X	MG RESISTOR	R3205		NRSA02J-562X	MG RESISTOR	5.6kΩ,1/10W
R3002			NRSA02J-102X	MG RESISTOR	R3206		NRSA02J-333X	MG RESISTOR	33kΩ,1/10W
R3003			NRSA02J-102X	MG RESISTOR	R3207		NRSA02J-333X	MG RESISTOR	33kΩ,1/10W
R3004			NRSA02J-102X	MG RESISTOR	R3208		NRSA02J-333X	MG RESISTOR	33kΩ,1/10W
R3005			NRSA02J-102X	MG RESISTOR	R3209		QRE141J-750Y	RESISTOR	75Ω,1/4W
R3006			NRSA02J-102X	MG RESISTOR	R3210		NRSA02J-822X	MG RESISTOR	8.2kΩ,1/10W
R3007			NRSA02J-102X	MG RESISTOR	R3211		NRSA02J-822X	MG RESISTOR	8.2kΩ,1/10W
R3008			NRSA02J-102X	MG RESISTOR	R3212		NRSA02J-181X	MG RESISTOR	180Ω,1/10W
R3010			NRSA02J-102X	MG RESISTOR	R3213		NRSA02J-273X	MG RESISTOR	27kΩ,1/10W
R3014			NRSA02J-102X	MG RESISTOR	R3214		NRSA02J-181X	MG RESISTOR	180Ω,1/10W
R3016			NRSA02J-102X	MG RESISTOR	R3215		NRSA02J-273X	MG RESISTOR	27kΩ,1/10W
R3017			NRSA02J-102X	MG RESISTOR	R3216		NRSA02J-102X	MG RESISTOR	1kΩ,1/10W
R3020			NRSA02J-102X	MG RESISTOR	R3218		NRSA02J-333X	MG RESISTOR	33kΩ,1/10W
R3021			NRSA02J-102X	MG RESISTOR	R3219		NRSA02J-333X	MG RESISTOR	33kΩ,1/10W
R3022			NRSA02J-102X	MG RESISTOR	R3220		NRSA02J-103X	MG RESISTOR	10kΩ,1/10W
R3023			NRSA02J-102X	MG RESISTOR	R3222		NRSA02J-472X	MG RESISTOR	4.7kΩ,1/10W
R3024			NRSA02J-102X	MG RESISTOR	R3224		NRSA02J-101X	MG RESISTOR	100Ω,1/10W
R3026			NRSA02J-102X	MG RESISTOR	R3226		NRSA02J-472X	MG RESISTOR	4.7kΩ,1/10W
R3027			NRSA02J-102X	MG RESISTOR	R3227		NRSA02J-472X	MG RESISTOR	4.7kΩ,1/10W
R3029			NRSA02J-102X	MG RESISTOR	R3232		NRSA02J-103X	MG RESISTOR	10kΩ,1/10W
R3030			NRSA02J-102X	MG RESISTOR	R3301		NRSA02J-474X	MG RESISTOR	470kΩ,1/10W
R3031			NRSA02J-102X	MG RESISTOR	R3302		NRSA02J-104X	MG RESISTOR	100kΩ,1/10W
R3032			NRSA02J-102X	MG RESISTOR	R3306		NRSA02J-223X	MG RESISTOR	22kΩ,1/10W
R3033			NRSA02J-102X	MG RESISTOR	R3307		NRSA02J-331X	MG RESISTOR	330Ω,1/10W
R3047			NRSA02J-102X	MG RESISTOR	R3308		NRSA02J-0R0X	MG RESISTOR	0Ω,1/10W
R3051			NRSA02J-102X	MG RESISTOR	R4001		NRSA02J-222X	MG RESISTOR	2.2kΩ,1/10W
R3053			NRSA02J-102X	MG RESISTOR	R4002		NRSA02J-103X	MG RESISTOR	10kΩ,1/10W

#	△ REF No.	PART No.	PART NAME, DESCRIPTION	#	△ REF No.	PART No.	PART NAME, DESCRIPTION
R4003		NRSA02J-0R0X	MG RESISTOR 0Ω,1/10W	R7109		NRSA02J-103X	MG RESISTOR 10kΩ,1/10W
R4004		NRSA02J-102X	MG RESISTOR 1kΩ,1/10W	R7110		NRSA02J-221X	MG RESISTOR 220Ω,1/10W
R4005		NRSA02J-102X	MG RESISTOR 1kΩ,1/10W	R7111		NRSA02J-473X	MG RESISTOR 47kΩ,1/10W
R4006		NRSA02J-102X	MG RESISTOR 1kΩ,1/10W	R7112		NRSA02J-471X	MG RESISTOR 470Ω,1/10W
R4007		NRSA02J-102X	MG RESISTOR 1kΩ,1/10W	R7113		NRSA02J-562X	MG RESISTOR 5.6kΩ,1/10W
R4009		NRSA02J-102X	MG RESISTOR 1kΩ,1/10W	R7114		NRSA02J-151X	MG RESISTOR 150Ω,1/10W
R4010		NRSA02J-471X	MG RESISTOR 470Ω,1/10W	R7115		QRE123J-331X	RESISTOR 330Ω,1/2W
R4011		NRSA02J-471X	MG RESISTOR 470Ω,1/10W	R7116		NRSA02J-153X	MG RESISTOR 15kΩ,1/10W
R4012		NRSA02J-153X	MG RESISTOR 15kΩ,1/10W	R7117		NRSA02J-103X	MG RESISTOR 10kΩ,1/10W
R4013		NRSA02J-222X	MG RESISTOR 2.2kΩ,1/10W	R7118		NRSA02J-0R0X	MG RESISTOR 0Ω,1/10W
R4018		NRSA02J-102X	MG RESISTOR 1kΩ,1/10W	R7120		NRSA02J-104X	MG RESISTOR 100kΩ,1/10W
R4019		NRSA02J-102X	MG RESISTOR 1kΩ,1/10W	R7121		NRSA02J-104X	MG RESISTOR 100kΩ,1/10W
R4020		NRSA02J-102X	MG RESISTOR 1kΩ,1/10W	R7122		NRSA02J-103X	MG RESISTOR 10kΩ,1/10W
R4021		NRSA02J-103X	MG RESISTOR 10kΩ,1/10W	R7123		NRSA02J-103X	MG RESISTOR 10kΩ,1/10W
R4024		NRSA02J-103X	MG RESISTOR 10kΩ,1/10W	R7124		NRSA02J-103X	MG RESISTOR 10kΩ,1/10W
R4025		NRSA02J-222X	MG RESISTOR 2.2kΩ,1/10W	R7125		NRSA02J-103X	MG RESISTOR 10kΩ,1/10W
R4026		NRSA02J-103X	MG RESISTOR 10kΩ,1/10W	R7126		NRSA02J-103X	MG RESISTOR 10kΩ,1/10W
R5002		NRSA02J-471X	MG RESISTOR 470Ω,1/10W	R7127		NRSA02J-103X	MG RESISTOR 10kΩ,1/10W
R5003		NRSA02J-102X	MG RESISTOR 1kΩ,1/10W	R7128		NRSA02J-103X	MG RESISTOR 10kΩ,1/10W
R5004		NRSA02J-102X	MG RESISTOR 1kΩ,1/10W	R7129		NRSA02J-104X	MG RESISTOR 100kΩ,1/10W
R5005		NRSA02J-103X	MG RESISTOR 10kΩ,1/10W	R7130		NRSA02J-103X	MG RESISTOR 10kΩ,1/10W
R5006		NRSA02J-472X	MG RESISTOR 4.7kΩ,1/10W	R7131		NRSA02J-103X	MG RESISTOR 10kΩ,1/10W
R5007		NRSA02J-334X	MG RESISTOR 330kΩ,1/10W	R7132		NRSA02J-103X	MG RESISTOR 10kΩ,1/10W
R5008		NRSA02J-100X	MG RESISTOR 10Ω,1/10W	R7133		NRSA02J-104X	MG RESISTOR 100kΩ,1/10W
R5009		NRSA02J-122X	MG RESISTOR 1.2kΩ,1/10W	VR5001		QUY153-050Y	IM BUS WIRE
R5010		NRSA02J-223X	MG RESISTOR 22kΩ,1/10W	B5		NRSA02J-0R0X	MG RESISTOR 0Ω,1/10W
R5011		NRSA02J-102X	MG RESISTOR 1kΩ,1/10W	B11		NRSA02J-0R0X	MG RESISTOR 0Ω,1/10W
R5012		NRSA02J-222X	MG RESISTOR 2.2kΩ,1/10W	B35		NRSA02J-0R0X	MG RESISTOR,KV-V8E 0Ω,1/10W
R5013		NRSA02J-103X	MG RESISTOR 10kΩ,1/10W	B2202		QUY160-175Y	IM BUS WIRE
R5014		NRSA02J-102X	MG RESISTOR 1kΩ,1/10W	B3001		NRSA02J-0R0X	MG RESISTOR 0Ω,1/10W
R5015		NRSA02J-102X	MG RESISTOR 1kΩ,1/10W	B3002		NRSA02J-0R0X	MG RESISTOR 0Ω,1/10W
R5016		NRSA02J-102X	MG RESISTOR 1kΩ,1/10W	B3004		QUY160-125Y	IM BUS WIRE
R5017		NRSA02J-102X	MG RESISTOR 1kΩ,1/10W	B3301		NRSA02J-0R0X	MG RESISTOR 0Ω,1/10W
R5018		NRSA02J-103X	MG RESISTOR 10kΩ,1/10W	B3304		NRSA02J-0R0X	MG RESISTOR 0Ω,1/10W
R5019		NRSA02J-472X	MG RESISTOR 4.7kΩ,1/10W	B3306		NRSA02J-0R0X	MG RESISTOR 0Ω,1/10W
R5020		NRSA02J-154X	MG RESISTOR 150kΩ,1/10W	B4001		NRSA02J-0R0X	MG RESISTOR 0Ω,1/10W
R5021		NRSA02J-100X	MG RESISTOR 10Ω,1/10W	B5001		NRSA02J-0R0X	MG RESISTOR 0Ω,1/10W
R5022		NRSA02J-103X	MG RESISTOR 10kΩ,1/10W	B7111		QUY153-050Y	IM BUS WIRE
R5023		NRSA02J-153X	MG RESISTOR 15kΩ,1/10W	B7112		QUY153-050Y	IM BUS WIRE
R5024		NRSA02J-222X	MG RESISTOR 2.2kΩ,1/10W	C1		NCB21AK-105X	CAPACITOR,KV-V8J 1μF,10V
R5025		NRSA02J-103X	MG RESISTOR 10kΩ,1/10W			NCB21HK-103X	CAPACITOR,KV-V8E 0.01μF,50V
R5027		NRSA02J-102X	MG RESISTOR 1kΩ,1/10W	C2		NCB21AK-105X	CAPACITOR,KV-V8J 1μF,10V
R5028		NRSA02J-103X	MG RESISTOR 10kΩ,1/10W			NCB21HK-103X	CAPACITOR,KV-V8E 0.01μF,50V
R5030		NRSA02J-103X	MG RESISTOR 10kΩ,1/10W	C3		NCB21AK-105X	CAPACITOR,KV-V8J 1μF,10V
△ R5031		QRZ9005-330X	FUSI RESISTOR 33Ω,1/4W			NCB21HK-103X	CAPACITOR,KV-V8E 0.01μF,50V
R5032		QRE141J-221Y	RESISTOR 220Ω,1/4W	C4		NCB21AK-105X	CAPACITOR,KV-V8J 1μF,10V
R5041		NRSA02J-223X	MG RESISTOR 22kΩ,1/10W			NCB21HK-103X	CAPACITOR,KV-V8E 0.01μF,50V
R5042		NRSA02J-0R0X	MG RESISTOR 0Ω,1/10W	C5		QEKJ1CM-476	E CAPACITOR 47μF,16V
△ R5043		QRZ9005-330X	FUSI RESISTOR 33Ω,1/4W	C6		NCB21EK-104X	CAPACITOR 0.1μF,25V
R5051		QRE141J-152Y	RESISTOR 1.5kΩ,1/4W	C7		NCB21HK-471X	CAPACITOR 470pF,50V
R5052		NRSA02J-473X	MG RESISTOR 47kΩ,1/10W	C8		NCB21EK-104X	CAPACITOR 0.1μF,25V
R5053		NRSA02J-564X	MG RESISTOR 560kΩ,1/10W	C9		NCB21HK-103X	CAPACITOR 0.01μF,50V
R5054		NRSA02J-563X	MG RESISTOR 56kΩ,1/10W	C10		NDC21HJ-151X	CAPACITOR 150pF,50V
R5055		NRSA02J-104X	MG RESISTOR 100kΩ,1/10W	C11		NCB21EK-104X	CAPACITOR 0.1μF,25V
△ R5056		QRZ9003-470	FUSI RESISTOR 47Ω,1/4W	C12		NDC21HJ-330X	CAPACITOR,KV-V8J 33pF,50V
R7101		NRSA02J-750X	MG RESISTOR 75Ω,1/10W			NDC21HJ-470X	CAPACITOR,KV-V8E 47pF,50V
R7102		NRSA02J-0R0X	MG RESISTOR 0Ω,1/10W	C13		NCB21HK-103X	CAPACITOR,KV-V8J 0.01μF,50V
R7104		NRSA02J-750X	MG RESISTOR 75Ω,1/10W	C14		NCB21EK-104X	CAPACITOR 0.1μF,25V
R7106		NRSA02J-102X	MG RESISTOR 1kΩ,1/10W	C15		NCB21HK-103X	CAPACITOR 0.01μF,50V
R7107		NRSA02J-221X	MG RESISTOR 220Ω,1/10W	C16		NCB21EK-104X	CAPACITOR 0.1μF,25V
R7108		NRSA02J-103X	MG RESISTOR 10kΩ,1/10W	C17		QEKJ1HM-335	E CAPACITOR 3.3μF,50V

#	△	REF No.	PART No.	PART NAME, DESCRIPTION	#	△	REF No.	PART No.	PART NAME, DESCRIPTION
C18			QEKJ1HM-105	E CAPACITOR 1μF,50V	C2221		NCB21HK-103X	CAPACITOR	0.01μF,50V
C19			QEKJ1HM-225	E CAPACITOR 2.2μF,50V	C2222		QEKJ1HM-474	E CAPACITOR	0.47μF,50V
C21			NCB21EK-104X	CAPACITOR 0.1μF,25V	C2223		QEKJ1HM-474	E CAPACITOR	0.47μF,50V
C22			QERJ0JM-107	E CAPACITOR 100μF,6.3V	C2224		NCB21HK-103X	CAPACITOR	0.01μF,50V
C23			NCB21EK-104X	CAPACITOR 0.1μF,25V	C2225		QEKJ1EM-475	E CAPACITOR	4.7μF,25V
C24			NCB21EK-104X	CAPACITOR 0.1μF,25V	C2226		QEKJ1CM-106	E CAPACITOR	10μF,16V
C25			NDC21HJ-5R0X	CAPACITOR 5pF,50V	C2227		NCB21CK-104X	CAPACITOR	0.1μF,16V
C27			NCB21HK-223X	CAPACITOR 0.022μF,50V	C2251		QEK1CM-476	E CAPACITOR	47μF,16V
C28			QEKJ1HM-335	E CAPACITOR 3.3μF,50V	C2252		QCBB1HK-103	CAPACITOR	0.01μF,50V
C29			NCB21EK-333X	CAPACITOR,KV-V8E 0.033μF,25V	C2253		NCB21CK-104X	CAPACITOR	0.1μF,16V
			NCB21HK-472X	CAPACITOR,KV-V8J 0.0047μF,50V	C2254		NCB21CK-104X	CAPACITOR	0.1μF,16V
C30			QEKJ1HM-474	E CAPACITOR 0.47μF,50V	C2255		NDC21HJ-181X	CAPACITOR,KV-V8E	180pF,50V
C31			QEKJ0JM-476	E CAPACITOR 47μF,6.3V	C3001		NCB21EK-104X	CAPACITOR	0.1μF,25V
C32			NCB21EK-104X	CAPACITOR 0.1μF,25V	C3002		NCB21HK-103X	CAPACITOR	0.01μF,50V
C33			QEKJ1HM-225	E CAPACITOR 2.2μF,50V	C3003		QEKJ1CM-106	E CAPACITOR	10μF,16V
C34			NCB21CK-224X	CAPACITOR,KV-V8E 0.22μF,16V	C3013		QEKJ1CM-106	E CAPACITOR	10μF,16V
			NCB21EK-104X	CAPACITOR,KV-V8J 0.1μF,25V	C3015		NCB21HK-103X	CAPACITOR	0.01μF,50V
C35			NCB21EK-333X	CAPACITOR,KV-V8J 0.033μF,25V	C3016		NDC21HJ-270X	CAPACITOR	27pF,50V
			NCB21HK-103X	CAPACITOR,KV-V8E 0.01μF,50V	C3017		NDC21HJ-270X	CAPACITOR	27pF,50V
C36			QEKJ1EM-475	E CAPACITOR 4.7μF,25V	C3018		NDC21HJ-330X	CAPACITOR	33pF,50V
C37			QEKJ1HM-105	E CAPACITOR 1μF,50V	C3020		NDC21HJ-330X	CAPACITOR	33pF,50V
C38			QEKJ0JM-476	E CAPACITOR 47μF,6.3V	C3021		NCB21HK-103X	CAPACITOR	0.01μF,50V
C39			NCB21EK-104X	CAPACITOR 0.1μF,25V	C3022		NCB21HK-103X	CAPACITOR	0.01μF,50V
C40			QEKJ1CM-106	E CAPACITOR 10μF,16V	C3025		NCB21HK-103X	CAPACITOR	0.01μF,50V
C53			NCB21HK-103X	CAPACITOR 0.01μF,50V	C3030		NCB21EK-104X	CAPACITOR	0.1μF,25V
C62			NCB21EK-104X	CAPACITOR 0.1μF,25V	C3031		QEKJ0JM-107	E CAPACITOR	100μF,6.3V
C64			NDC21HJ-220X	CAPACITOR,KV-V8E 22pF,50V	C3032		NCB21EK-104X	CAPACITOR	0.1μF,25V
C65			QEKJ1HM-105	E CAPACITOR,KV-V8E 1μF,50V	C3033		NDC21HJ-180X	CAPACITOR	18pF,50V
C69			NCB21HK-103X	CAPACITOR,KV-V8E 0.01μF,50V	C3034		NDC21HJ-180X	CAPACITOR	18pF,50V
C70			NCB21HK-103X	CAPACITOR,KV-V8E 0.01μF,50V	C3035		NCB21HK-471X	CAPACITOR	470pF,50V
C81			NCB21HK-103X	CAPACITOR,KV-V8E 0.01μF,50V	C3036		NCB21HK-103X	CAPACITOR	0.01μF,50V
C99			NCB21EK-104X	CAPACITOR 0.1μF,25V	C3037		NDC21HJ-181X	CAPACITOR	180pF,50V
C106			NCB21HK-821X	CAPACITOR,KV-V8E 820pF,50V	C3038		NCB21CK-105X	CAPACITOR	1μF,16V
C108			NDC21HJ-680X	CAPACITOR,KV-V8E 68pF,50V	C3039		NCB21HK-102X	CAPACITOR	0.001μF,50V
C109			NCB21CK-224X	CAPACITOR 0.22μF,16V	C3040		NCB21HK-561X	CAPACITOR	560pF,50V
C110			NDC21HJ-331X	CAPACITOR,KV-V8J 330pF,50V	C3041		NCB21CK-474X	CAPACITOR	470μF,16V
			NDC21HJ-820X	CAPACITOR,KV-V8E 82pF,50V	C3042		NDC21HJ-330X	CAPACITOR	33pF,50V
C114			NDC21HJ-181X	CAPACITOR,KV-V8E 180pF,50V	C3053		NCB21EK-104X	CAPACITOR	0.1μF,25V
C2001			QEKJ1EM-475	E CAPACITOR 4.7μF,25V	C3301		NCB21HK-103X	CAPACITOR	0.01μF,50V
C2002			QEKJ1CM-106	E CAPACITOR 10μF,16V	C4001		NCB21EK-104X	CAPACITOR	0.1μF,25V
C2003			QEKJ1CM-476	E CAPACITOR 47μF,16V	C4002		QEKJ1HM-474	E CAPACITOR	0.47μF,50V
C2005			QEKJ1EM-475	E CAPACITOR 4.7μF,25V	C4004		QEKJ0JM-226	E CAPACITOR	22μF,6.3V
C2006			NCB21HK-123X	CAPACITOR 0.012μF,50V	C4007		NCB21HK-273X	CAPACITOR	0.027μF,50V
C2007			QEKJ1CM-226	E CAPACITOR 22μF,16V	C4008		QEKJ1HM-106	E CAPACITOR	10μF,50V
C2008			QEKJ1EM-475	E CAPACITOR 4.7μF,25V	C4009		NCB21HK-102X	CAPACITOR	0.001μF,50V
C2009			NCB21HK-102X	CAPACITOR 0.001μF,50V	C4011		NCB21EK-224X	CAPACITOR	0.22μF,25V
C2010			NCB21HK-152X	CAPACITOR 0.0015μF,50V	C4012		NCB21EK-563X	CAPACITOR	0.056μF,25V
C2012			QEK1EM-475	E CAPACITOR 4.7μF,25V	C4013		NCB21HK-102X	CAPACITOR	0.001μF,50V
C2201			NCB21CK-104X	CAPACITOR 0.1μF,16V	C4014		NDC21HJ-101X	CAPACITOR	100pF,50V
C2202			NCB21EK-333X	CAPACITOR 0.033μF,25V	C4015		NDC21HJ-101X	CAPACITOR	100pF,50V
C2203			QEKJ1CM-106	E CAPACITOR 10μF,16V	C4019		NCB21EK-104X	CAPACITOR	0.1μF,25V
C2204			NCB21HK-102X	CAPACITOR 0.001μF,50V	C4020		QEKJ1CM-336	E CAPACITOR	33μF,16V
C2205			QEKJ1HM-105	E CAPACITOR 1μF,50V	C5001		QEMT1CM-158	E CAPACITOR	1500μF,16V
C2207			QEKJ1CM-476	E CAPACITOR 47μF,16V	C5003		QEKJ1CM-106	E CAPACITOR	10μF,16V
C2208			QEKJ1EM-475	E CAPACITOR 4.7μF,25V	C5004		NCB21HK-103X	CAPACITOR	0.01μF,50V
C2209			NCB21HK-103X	CAPACITOR 0.01μF,50V	C5005		NCB21HK-103X	CAPACITOR	0.01μF,50V
C2210			NCB21HK-103X	CAPACITOR 0.01μF,50V	C5006		QETL0JM-478	E CAPACITOR	4700μF,6.3V
C2215			QEKJ1EM-475	E CAPACITOR 4.7μF,25V	C5007		QETC1JM-226	E CAPACITOR	22μF,63V
C2217			QEKJ1CM-106	E CAPACITOR 10μF,16V	C5008		NCB21HK-392X	CAPACITOR	0.0039μF,50V
C2219			QEKJ1CM-106	E CAPACITOR 10μF,16V	C5009		QEMT0JM-128	E CAPACITOR	1200μF,6.3V
C2220			QEKJ1EM-475	E CAPACITOR 4.7μF,25V	C5010		QEMT0JM-128	E CAPACITOR	1200μF,6.3V

#	△ REF No.	PART No.	PART NAME, DESCRIPTION
C5011		QETC1JM-226	E CAPACITOR 22μF,63V
C5012		NCB21HK-472X	CAPACITOR 0.0047μF,50V
C5013		QEMT1CM-827	E CAPACITOR 820μF,16V
C5014		NDC21HJ-101X	CAPACITOR 100pF,50V
C5015		QETN1CM-476	E CAPACITOR 47μF,16V
C5016		QETN1CM-476	E CAPACITOR 47μF,16V
C5017		QETN1CM-107	E CAPACITOR 100μF,16V
C5018		NCB21HK-102X	CAPACITOR 0.001μF,50V
C5019		NCF21EZ-104X	CAPACITOR 0.1μF,25V
C5020		QETN1CM-476	E CAPACITOR 47μF,16V
C5053		QEKJ1CM-106	E CAPACITOR 10μF,16V
C7101		QETNOJM-477	E CAPACITOR 470μF,6.3V
C7102		NDC21HJ-221X	CAPACITOR 220pF,50V
C7103		QEKJ1CM-476	E CAPACITOR 47μF,16V
C7104		NCB21HK-103X	CAPACITOR 0.01μF,50V
C7106		NCB21EK-473X	CAPACITOR 0.047μF,25V
C7112		NCB21CK-104X	CAPACITOR 0.1μF,16V
C7120		QEKJ1EM-475	E CAPACITOR 4.7μF,25V
C7121		QEKJ1EM-475	E CAPACITOR 4.7μF,25V
C7122		QEKJ1CM-476	E CAPACITOR 47μF,16V
C7123		QEKJ1EM-475	E CAPACITOR 4.7μF,25V
C7124		QEKJ1EM-475	E CAPACITOR 4.7μF,25V
C7125		QEKJ1HM-105	E CAPACITOR 1μF,50V
C7126		QEKJ1HM-105	E CAPACITOR 1μF,50V
L1		QQL29BJ-100Z	COIL 10μH
L2		QUY153-050Y	IM BUS WIRE
L3		QQL29BJ-100Z	COIL 10μH
L4		QQL29BJ-100Z	COIL 10μH
L5		QQL29BJ-100Z	COIL 10μH
L11		QQL01BJ-120Z	COIL 10μH
L13		QQL231J-330Y	COIL,KV-V8E 33μH
L24		QQL071J-270Y	COIL,KV-V8E 27μH
		QUY153-050Y	IM BUS WIRE,KV-V8J
L27		QQL071J-330Y	COIL,KV-V8E 33μH
L28		QQL071J-150Y	COIL,KV-V8J 15μH
		QQL071J-330Y	COIL,KV-V8E 33μH
L2001		QUY153-050Y	IM BUS WIRE
L2251		QQL29BJ-100Z	COIL 10μH
L2252		QQL29BJ-151Z	COIL,KV-V8E 150μH
L3001		QQL29BJ-100Z	COIL 10μH
L3002		QQL231J-2R2Y	COIL 2.2μH
L3003		QQL342J-100Z	COIL 10μH
L3004		QQL231J-4R7Y	COIL 4.7μH
L3007		QUY153-050Y	IM BUS WIRE
L3008		QUY153-050Y	IM BUS WIRE
L5001		QQR0938-001	COIL
L5002		QQL35BJ-330Z	COIL 33μH
L5003		QQL33BK-101	COIL 100μH
L5004		QQL35BJ-330Z	COIL 33μH
L5005		QQL35BJ-330Z	COIL 33μH
L5006		QQL06BK-330	COIL 33μH
L5008		QQL35BJ-330Z	COIL 33μH
L7101		QRE141J-0R0Y	RESISTOR 0Ω,1/4W
X1		QAX0576-001	CRYSTAL RESONATOR,KV-V8E
X2		QAX0575-001	CRYSTAL RESONATOR,KV-V8J
X3001		QAX0320-001	CRYSTAL RESONATOR
X3002		QAX0444-001	CRYSTAL RESONATOR
S3001		PESW0589	PUSH SWITCH,REC SAFETY
S3002		PESW0674	PUSH SWITCH,CASSETTE SW
PS3001		SG-246	IC(PHOTO SENSOR)
PS3002		SG-246	IC(PHOTO SENSOR)

#	△ REF No.	PART No.	PART NAME, DESCRIPTION
△ TB1		LP20947-001A	TERMINAL BOARD
SD1		LP30776-001A	SHIELD CASE
WR5		QUB230-26ZAZA	SIN TWIST WIRE
OT1		LP40697-001A	SPACER
OT2		QYTDSEF3006Z	SCREW,X3
OT3		PU59915-107	#500SPACER0.007,X3002
OT4		PU59915-105	#500SPACER0.01,WR5
J7101		QNZ0473-001	CAR CONNECTOR
CN1		QGF1028C1-11	FPC CONNECTOR,(1-11)U.DRUM
CN2001		QGD2001C1-07	CONNECTOR,(1-7)A/C HEAD
CN3001		QGB2002L1-08	CONNECTOR,(1-8)CAPSTAN MOTOR
CN3002		QGF1207C1-05	FPC CONNECTOR,(1-5)DRUM MDA
CN3003		QGD2001C1-02	CONNECTOR,(1-2)LOADING MOTOR
CN3004		PU61434-1-1	CONNECTOR,(1-5)ROTARY ENCODER
CN3005		PU53587-2	CONNECTOR,(1-2)DEW SENSOR
CN3006		QGF1208C1-12	FPC CONNECTOR,(1-12)FRONT
△ CP3001		ICP-N25	CIRCUIT PROTECTOR
△ CP4101		ICP-N25	CIRCUIT PROTECTOR
△ CP5001		ICP-N25	CIRCUIT PROTECTOR
△ CP5002		ICP-N25	CIRCUIT PROTECTOR

A/C HEAD BOARD ASSEMBLY <12>

PW1	PB40068A-01	A/C HEAD BOARD ASSY
CN1	QGD2001F1-07	WIRE TRAP CONNECTOR

FRONT BOARD ASSEMBLY <28>

PW2	LPA10120-02B2	FRONT BOARD ASSY,KV-V8E
	LPA10120-03B2	FRONT BOARD ASSY,KV-V8J
Q7001	DTA144WU	TRANSISTOR
Q7002	DTA144WU	TRANSISTOR
D7001	SLR-325MC-T	LE DIODE
D7002	SLR-325MC-T	LE DIODE
D7003	SLR-325MC-T	LE DIODE
D7004	SLR-325MC-T	LE DIODE
D7005	SLR-325MC-T	LE DIODE
D7006	SPR-325MVW-T	LE DIODE
R7001	QRE141J-223Y	RESISTOR 22kΩ,1/4W
R7002	QRE141J-682Y	RESISTOR 6.8kΩ,1/4W
R7003	QRE141J-332Y	RESISTOR 3.3kΩ,1/4W
R7005	QRE141J-103Y	RESISTOR 10kΩ,1/4W
R7006	QRE141J-103Y	RESISTOR 10kΩ,1/4W
R7007	QRE141J-103Y	RESISTOR 10kΩ,1/4W
R7011	QRE141J-331Y	RESISTOR 330Ω,1/4W
R7012	QRE141J-331Y	RESISTOR 330Ω,1/4W
R7013	QRE141J-331Y	RESISTOR 330Ω,1/4W
R7014	QRE141J-331Y	RESISTOR 330Ω,1/4W
R7015	QRE141J-331Y	RESISTOR 330Ω,1/4W
R7016	QRE141J-331Y	RESISTOR 330Ω,1/4W
R7017	QRE141J-331Y	RESISTOR 330Ω,1/4W

#	△ REF No.	PART No.	PART NAME, DESCRIPTION
B3305		NRSA02J-0R0X	MG RESISTOR 0Ω,1/10W
B7003		QUY153-050Y	IM BUS WIRE
C3302		NCB21HK-103X	CAPACITOR 0.01μF,50V
S7001		QSW0456-001Z	TACT SWITCH,REW
S7002		QSW0456-001Z	TACT SWITCH,FF
S7003		QSW0456-001Z	TACT SWITCH,PLAY/PAUSE
S7004		QSW0456-001Z	TACT SWITCH,PAUSE/SPEAKER
S7005		QSW0456-001Z	TACT SWITCH,STOP/EJECT
S7006		QSW0456-001Z	TACT SWITCH,POWER
TH3301		QAD0098-104	N THERMISTOR
FW7001		QUM022-18A4A4	PARA RIBON WIRE
CN7001		QGF1207F1-12	FPC CONNECTOR,(1-12)MAIN

#	△ REF No.	PART No.	PART NAME, DESCRIPTION
---	-----------	----------	------------------------

SW.BOARD ASSEMBLY <36>

PW3	LPA10120-01C3	SW.BOARD ASSY
S7801	QSW0528-001	CAM SWITCH